

MAXEON 3 SOLAR PANEL

410-420 W | Up to 22.2% Efficient



Ideal for residential applications



Black backsheet, black frame

More Lifetime Energy

Designed to maximise energy generation through leading efficiency, enhanced performance in high temperatures, and higher energy conversion in low-light conditions like mornings, evenings and cloudy days.

Uncompromising Durability

Engineered to power through all types of weather conditions with crack-resistant cells and reinforced connections that protect against fatigue and corrosion, to an electrical architecture that mitigates the impact of shade and prevents hot-spot formation.



Superior Sustainability

Clean ingredients, responsible manufacturing, and lasting energy production for 40 years make Maxeon panels the most sustainable choice in solar.

maxeon



The Industry's Longest Warranty

Maxeon panels are covered by a 40-year warranty¹ backed by extensive third-party testing and field data from more than 33 million panels deployed worldwide.

Product and power coverage	40 Years
Year 1 minimum warranted output	98.0%
Maximum annual degradation	0.25%

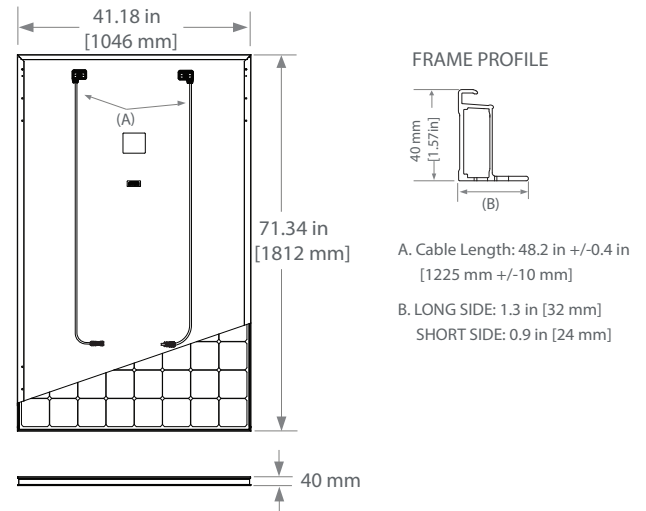


Learn more about the SPR-MAX3-XXX-BLK-R
maxeon.com/us

Electrical Data			
	SPR-MAX3-420-BLK-R	SPR-MAX3-415-BLK-R	SPR-MAX3-410-BLK-R
Nominal Power (P _{nom}) ²	420 W	415 W	410 W
Power Tolerance	+5/0%	+5/0%	+5/0%
Panel Efficiency	22.2%	21.9%	21.6%
Rated Voltage (V _{mpp})	35.5 V	35.3 V	35.1 V
Rated Current (I _{mpp})	11.82 A	11.75 A	11.68 A
Open-Circuit Voltage (V _{oc})	40.7 V	40.7 V	40.7 V
Short-Circuit Current (I _{sc})	12.65 A	12.64 A	12.63 A
Max. System Voltage	1000 V UL		
Maximum Series Fuse	20 A		
Power Temp Coef.	-0.27% / °C		
Voltage Temp Coef.	-0.236% / °C		
Current Temp Coef.	0.058% / °C		

Operating Condition And Mechanical Data	
Temperature	-40°F to +185°F (-40°C to +85°C)
Impact Resistance	1 inch (25 mm) diameter hail at 52 mph (23 m/s)
Solar Cells	112 Monocrystalline Maxeon Gen 3
Tempered Glass	High-transmission tempered anti-reflective
Junction Box	IP-68, Stäubli (MC4), 2 bypass diodes
Weight	46.7 lbs (21.2 kg)
Max. Load ⁶	Wind: 50 psf, 2400 Pa, 244 kg/m ² back Snow: 112 psf, 5400 Pa, 550 kg/m ² front
Frame	Class 1 black anodized (highest AAMA rating)

Warranties, Certifications and Compliance	
Standard Tests ³	UL1703 (Type 2 Fire Rating) (Pending)
Quality Management Certs	ISO 9001:2015, ISO 14001:2015
Ammonia Test	IEC 62716 (Pending)
Desert Test	IEC 60068-2-68, MIL-STD-810G (Pending)
Salt Spray Test	IEC 61701 (maximum severity) (Pending)
PID Test	1000 V: IEC 62804 (Pending)
Available Listings	UL (Pending)
IFLI Declare Label	First solar panel labeled for ingredient transparency and LBC-compliance. ⁴
Cradle to Cradle Certified™ Bronze	First solar panel line certified for material health, water stewardship, material reutilization, renewable energy & carbon management, and social fairness. ⁵
Green Building Certification Contribution	Panels can contribute additional points toward LEED and BREEAM certifications.
EHS Compliance	RoHS, OHSAS 18001:2007, Recycle Scheme, REACH SVHC-163



Please read the safety and installation instructions. Visit www.maxeon.com/us/InstallGuideUL. Paper version can be requested through techsupport.ROW@maxeon.com.

¹ 40-year warranty is not available in all countries or all installations and requires registration, otherwise our 25-year warranty applies. Service availability varies by country and installation provider.

² Standard Test Conditions (1000 W/m² irradiance, AM 1.5, 25° C). NREL calibration Standard: SOMS current, LACCS FF and Voltage.

³ Type 2 fire rating per UL1703:2013, Class C fire rating per UL1703:2002.

⁴ Maxeon DC panels first received the International Living Future Institute Declare Label in 2016.

⁵ Maxeon DC panels are Cradle to Cradle Certified™ Bronze - www.c2ccertified.org. Cradle to Cradle Certified™ is a certification mark licensed by the Cradle to Cradle Products Innovation Institute.

⁶ Safety factor 1.5 included.

Made in Philippines (Cells)
 Assembled in Mexico (Module)

Specifications included in this datasheet are subject to change without notice.
 ©2022 Maxeon Solar Technologies. All Rights Reserved.

View warranty, patent and trademark information at maxeon.com/legal.

